

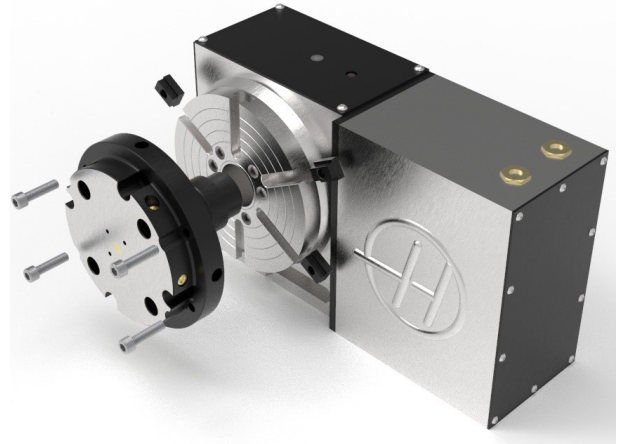


HAAS HRT & TR ADAPTER KITS

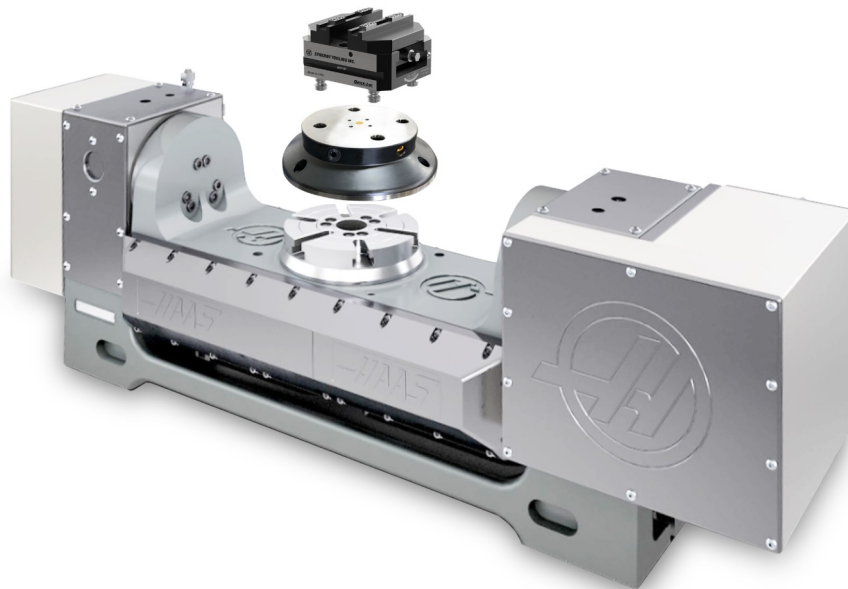
MULTI-AXIS ADAPTER KITS

For 160mm, 210mm & 310mm Rotary & Trunnion Tables with all locating and mounting hardware included.

Quick-Loc adapters for 52mm and 96mm Top Tooling



HAAS MODEL	QUICK-LOC ADAPTER	
HRT/TR	52MM	96MM
160	400100	N/A
210	400105	400107
310	N/A	400110



CENTERING VISES



75mm Centering Vise
x 100mm (85mm Capacity)
x 160mm (155mm Capacity)



130mm Centering Vise
x 160mm (150mm Capacity)
x 250mm (240mm Capacity)

Machineable Jaws Available
1018 Steel & Aluminum

AVAILABLE TOP TOOLING



4-SIDED CUBE



TWIN BASE



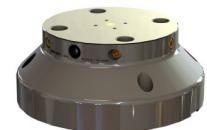
TRI-TOP



ER40 COLLET FIXTURE



3 & 4-JAW CHUCKS



RISERS

CAD MODELS AND DETAIL DRAWINGS ARE AVAILABLE AT WWW.SYNERGYTOOLINGINC.COM

Distributed by Tool Technology Distributors Inc. 800-335-8434 www.ToolTechnology.com Email: info@ToolTechnology.com

"DISCLAIMER": We are not affiliated, associated, endorsed by, or in any way officially connected with HAAS, or any subsidiaries or its affiliates. The name "HAAS" as well as related names, marks, emblems and images are registered trademarks.





HAAS TRT ADAPTER KITS

TRT ADAPTER KITS

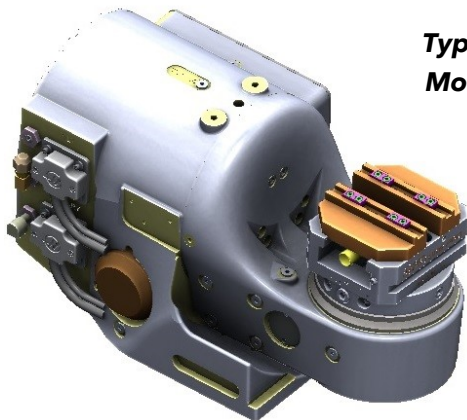
For 100mm, 160mm & 210mm TRT Tables
 with all locating and mounting hardware included.

Quick-Loc adapters for 52mm and 96mm Top Tooling

HAAS MODEL		QUICK-LOC ADAPTER	
TRT	52MM	96MM	
100	400100	N/A	
160	400105	400107	
210	400105	400110	

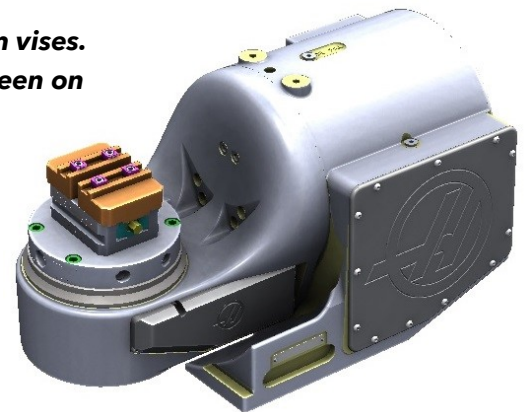


TRT-100 • TRT-160 • TRT-210

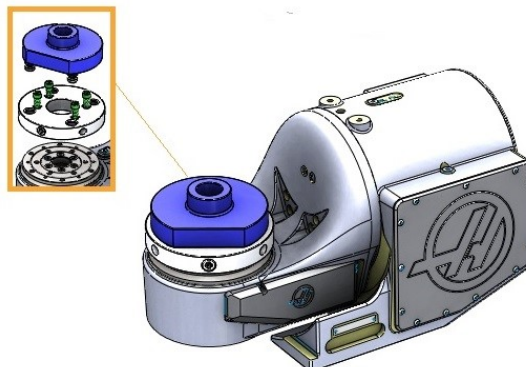


TRT with Adapter & 130mm x 160mm Vise

Typical Mounting of 75 and 130mm vises.
 More Top Tooling Choices can be seen on
 the prior page.



TRT with Adapter & 75mm x 100mm Vise
 Utilizing 100420 Reduction Receiver



Typical use of 400535 Alignment Gauge
 In 96mm Adapter Set-Up

CAD MODELS AND DETAIL DRAWINGS ARE AVAILABLE AT WWW.SYNERGYTOOLINGINC.COM

Distributed by Tool Technology Distributors Inc. 800-335-8434 www.ToolTechnology.com Email: info@ToolTechnology.com

"DISCLAIMER": We are not affiliated, associated, endorsed by, or in any way officially connected with HAAS, or any subsidiaries or its affiliates. The name "HAAS" as well as related names, marks, emblems and images are registered trademarks.

